



TIDMAS TOWNSEND

An eco-friendly customer focused business

Industrial & Retail Packaging Materials

tidmastownsend.co.uk ☎ 01323 734240

PRODUCT CATALOGUE VOLUME 2

*SPECIALIST SUPPLIERS OF PACKAGING MATERIALS
THROUGHOUT THE UK*



ABOUT US

Tidmas Townsend Ltd are a family run specialist packaging solution company that provide a quick, reliable and friendly service that won't let you down. The company's reputation is built on over 80 years of successful business trading, supplying retail and industrial outlets across the South of England

Our goal is to provide a committed and sustained service to all of our customers both new and old, whilst actively pursuing growth through product improvement and innovation.

We accomplish this by providing our customers with regular visits from an area sales representative, weekly sales calls and effective communication from our office sales staff

HOW TO ORDER



CALL US – 01323 734240

MON – THURS 8AM-5PM OR FRIDAY 7.30AM – 4.30PM

24hr answerphone available



enquiries@tidmastownsend.co.uk



FAX US – 01323 416894

24HR LINE



VISIT US ONLINE

www.tidmastownsend.co.uk

DELIVERY

Most of our orders are delivered within 24 – 48 hours. If you require goods sooner than this then please contact us.

CARRIAGE

All orders over £100 are carriage paid. Orders under this value may be subject to a small delivery charge.

COLLECTION

Our head office also serves as a cash & carry so please feel free to call in and collect your order (minimum one hours notice required)

PAYMENT METHODS

We can accept the following payment methods. Credit account applications available on request



OUR COMMITMENT TO THE ENVIRONMENT



At Tidmas Townsend we realise the impact that our goods and services may have on the environment. With this in mind we look to contain this impact by implementing the **Reduce, Re-use, Recycle** policy

REUSE 
REDUCE
RECYCLE

- **CO2** – We deliver using our own transport and, where possible, organise all of our deliveries into structured routes, delivering to as many customers in one area as possible
- **Sustainable Forestry** – All of our paper products are sustainably sourced. We purchase from manufacturers who are audited by the Forest Stewardship Council (FSC). These companies must meet strict criteria when sourcing their materials, leaving you in the knowledge that your products are ethically sourced.
- **ISO 14001** – Many of our suppliers are now registered to ISO 14001 which is the internationally recognised standard for the environmental management of businesses

- **Reduce** – With advances in technology it is now possible to produce many products lighter, thinner or in less outer packaging than before whilst still maintaining the integrity of the product.
- **Re-use** – Many of our products can be reused multiple times if kept well and looked after in the right way. We also supply a range of once used boxes which are widely purchased for household removals.
- **Recycle** – Keep landfill to a minimum and recycle a product if it cannot be reused. Many of our paper and plastic products can be recycled at the relevant waste management facilities.



pg 1–4 CARTONS

Single Wall Cartons
 Double Wall Cartons
 BDC Cartons
 Die Cut Boxes
 Archive boxes
 Ream Boxes
 Pallet Boxes
 Wardrobe Boxes
 Bespoke Boxes

Pg 5 - 9 PROTECTIVE PACKAGING

Bubble Wrap
 Bubble Bags
 Anti-Static Bubble
 Loosefill
 Cell Aire Foam
 Top Sheets
 Edge Protectors
 Corner Protectors
 U & L Channel Foam
 Protective Slewing
 Net Sacks
 Corrugated Rolls

Pg 10 - 12 VOID FILL SYSTEMS

AirPouch 3 Packing Machine
 Cardboard Shredders
 FasFil EZ Machine
 PackTiger Machine

Pg 13 - 17 STRAPPING & BANDING

Strapping Kits & Dispensers
 Strapping Tools
 Strapping Machines
 Plastic Hand Strapping
 Plastic Machine Strapping
 Corded Polyester Strapping
 Strapping Seals
 Steel Banding
 Strapping Buckles

Pg 18 PAPER PRODUCTS

Vanguard Blankets
 White Cap Tissue
 News Paper Offcuts
 Kraft Rolls
 Kraft Sheets

Pg 19 - 21 Tapes

Quality Vinyl Tape
 Low Noise Polyprop Tape
 Economy Polyprop Tape
 Printed Tape
 Coloured Tape
 Masking Tape
 Crossweave Tape
 Self Adhesive kraft Paper Tape
 Gummed Paper Tape
 Tape Guns
 Bonus Tape
 Cloth Tape
 Double Sided Tape

Pg 22 - 25 FILMS & PALLET WRAPPING

Clear Pallet Wrap
 Black Pallet Wrap
 Machine Wrap
 Handy Wrap
 Gas Shrink System
 C/fold Shrink Film
 Polythene Shrink Bags
 Polythene Shrink Film
 PVC Shrink Film
 Polyolefin Shrink Film
 Shrink Film Systems
 Heat Shrink Machines



TIDMAS TOWNSEND

An eco-friendly customer focused business

Industrial & Retail Packaging Materials

tidmastownsend.co.uk ☎ 01323 734240

Pg 26 - 27 MAILING BAGS

Mail Lite Mailing Bags
 Jiffy Padded Mailing Bags
 Grey Mailers
 Documents Enclosed
 Clear Poly Mailers
 Pouch Tape
 Postal Tubes

Pg 28 - 29 POLYTHENE

Clear Poly Bags
 Grip Seal Bags
 Impulse Sealer
 Lay Flat Tubing
 Refuse Sacks

Pg 30 - 31 REMOVAL & TRANSPORT SUPPLIES

Removal Supplies
 Wardrobe Cartons
 Adhesive Floor Protector
 Removals Cartons
 Drop'N Tell Devices
 Tip'N Tell Devices
 Shipping Labels

Pg 32 – 33 JANITORIAL

Hand Towels
 Washroom Hygiene
 Hand Hygiene
 Kitchen Chemicals
 Materials & Sundries

Pg 34 - 38 RETAIL PACKAGING

Paper Carriers
 Kraft Paper Bags
 White Sulphite Paper Bags
 Film Fronted Paper Bags
 Vest Carriers
 Bread Satchels
 Sweet Bags
 Greaseproof Paper Bags
 Poly Bags on Roll

Visit us at
www.tidmastownsend.co.uk
 And use our online quote
 builder

OFFICE ADDRESS
208 – 210 Seaside
Eastbourne
East Sussex
BN22 7QS
01323 734240

SINGLE WALL STOCK BOXES 0201 GLUED

Metric Size	Imperial Size	Grade
102 x 102 x 102 MM	4 X 4 X 4"	125KTB
127 X 127 X 127 MM	5 X 5 X 5"	125KTB
152 X 152 X 152 MM	6 X 6 X 6"	125KTB
178 X 127 X 127 MM	7 X 5 X 5"	125KTB
178 X 178 X 178 MM	7 X 7 X 7"	125KTB
203 X 152 X 102 MM	8 X 6 X 4"	125KTB
203 X 152 X 152 MM	8 X 6 X 6"	125KTB
203 X 203 X 203 MM	8 X 8 X 8"	125KTB
229 X 152 X 152 MM	9 X 6 X 6"	125KTB
241 X 241 X 114 MM	9.5 X 9.5 X 4.5"	125KTB
229 X 229 X 229 MM	9 X 9 X 9"	125KTB
254 X 203 X 152 MM	10 X 8 X 6"	125KTB
254 X 254 X 254 MM	10 X 10 X 10"	125KTB
267 X 241 X 102 MM	10.5 X 9.5 X 4"	150W/125TB
305 X 229 X 76 MM	12 X 9 X 3"	125KTB
305 X 229 X 102 MM	12 X 9 X 4"	125KTB
305 X 229 X 127 MM	12 X 9 X 5"	125KTB
305 X 229 X 152 MM	12 X 9 X 6"	125KTB
305 X 229 X 178 MM	12 X 9 X 7"	125KTB
305 X 229 X 229 MM	12 X 9 X 9"	125KTB
305 X 229 X 305 MM	12 X 9 X 12"	125KTB
343 X 241 X 114 MM	13.5 X 9.5 X 4.5"	125KTB
330 X 254 X 318 MM	13 X 10 X 12.5"	125KTB
350 X 279 X 229 MM	14 X 11 X 9"	125KTB
407 X 307 X 124 MM	16 X 12 X 5"	125KTB
432 X 267 X 127 MM	17 X 10.5 X 5"	125KTB
457 X 305 X 178 MM	18 X 12 X 7"	125KTB
457 X 305 X 254 MM	18 X 12 X 10"	125KTB
457 X 305 X 305 MM	18 X 12 X 12"	125KTB
482 X 305 X 127 MM	19 X 12 X 5"	125KTB
532 X 305 X 125 MM	21 X 12 X 5"	125KTB
575 X 370 X 365 MM	22.5 X 14.5 X 14.33"	150KTB
600 X 407 X 532 MM	23.5 X 16 X 21"	175KTB
635 X 477 X 565 MM	25 X 18.75 X 22.25"	140TL2
650 X 455 X 560 MM	25.5 X 18 X 22"	200KTB



SINGLE WALL BOX

MAIL READY PACKS

Description	Metric Size
SMALL WRAP	243 X 163 X 39 MM
MEDIUM WRAP	305 X 215 X 39 MM
LARGE A4 WRAP	335 X 253 X 45 MM
X-LARGE A3 WRAP	455 X 305 X 59 MM
12" BOOK WRAP	320 X 320 X 40 MM



MAIL READY PACK

Multipurpose packaging ideal for sending books, catalogues, CD's, DVD's and other media, safely and securely through the post. Manufactured from recycled corrugated board, these wrappers are available in several standard sizes and styles, to accommodate a variety of products

BDC STOCK BOXES 0201

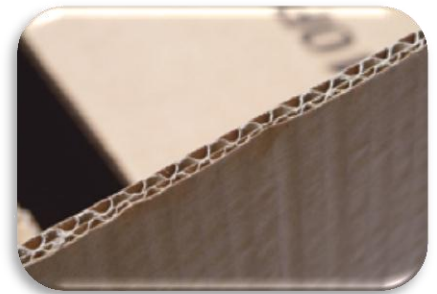
Code	Metric Size	Grade
BDC1	610 X 280 X 335 MM	140KT/B
BDC2	406 X 280 X 356 MM	140KT/B
BDCM1	595 X 295 X 388 MM	140KT/B
BDCM2	400 X 300 X 400 MM	140KT/B
BDCM3	597 X 292 X 191 MM	140KT/B
BDCM4	394 X 292 X 191 MM	140KT/B
S1	585 X 285 X 368 MM	140KT/DW



BDC BOX

DOUBLE WALL STOCK BOXES 0201 GLUED

Metric Size	Imperial Size	Grade
254 X 254 X 254 MM	10 X 10 X 10"	125KT/BC
305 x 229 x 127 MM	12 x 9 x 5"	125KT/BC
305 X 229 X 152 MM	12 X 9 X 6"	125KT/BC
305 X 229 X 229 MM	12 X 9 X 9"	125KT/BC
305 X 305 X 305 MM	12 X 12 X 12"	125KT/BC
355 X 260 X 305 MM	14 X 10.25 X 12"	125KT/BC
355 X 355 X 355 MM	14 X 14 X 14"	125KT/BC
406 X 406 X 406 MM	16 X 16 X 16"	125KT/BC
457 X 305 X 254 MM	18 X 12 X 10"	125KT/BC
457 X 305 X 305 MM	18 X 12 X 12"	125KT/BC
457 X 457 X 457 MM	18 X 18 X 18"	125KT/BC
457 X 457 X 508 MM	18 X 18 X 20"	125KT/BC
457 X 457 X 762 MM	18 X 18 X 30"	125KT/BC
508 X 508 X 508 MM	20 X 20 X 20"	125KT/BC
555 X 320 X 435 MM	22 X 12.5 X 17"	150KT/BC
584 X 381 X 343 MM	23 X 15 X 13.5"	125KT/BC
585 X 285 X 370 MM	23 X 11 X 14.5"	125KT/BC
565 X 355 X 370 MM	22.25 X 14 X 14.5"	125KT/BC
565 X 355 X 560 MM	22.25 X 14 X 22"	125KT/BC
610 X 457 X 457 MM	24 X 18 X 18"	125KT/BC
610 X 610 X 610 MM	24 X 24 X 24"	125KT/BC
762 X 457 X 457 MM	30 X 18 X 18"	125KT/BC
762 X 508 X 508 MM	30 X 20 X 20"	125KT/BC
762 X 762 X 762 MM	30 X 30 X 30"	200KT/BC
890 X 762 X 508 MM	35 X 30 X 20"	200KT/BC
915 X 483 X 279 MM	36 X 18 X 10"	150KT/BC
915 X 915 X 915 MM	36 X 36 X 36"	200KT/BC
610 X 254 X 787 MM	24 X 10 X 31"	150KT/BC
990 X 255 X 320 MM	39 X 10 X 12.5"	150KT/BC
915 X 610 X 635 MM	36 X 24 X 25"	150KT/BC



DOUBLE WALL BOX

REAM BOXES

Description	Metric Size	Colour
A4 REAM BOX	305 X 229 X 64 MM	BROWN
A4 REAM BOX	305 X 229 X 63 MM	WHITE
A4 REAM BOX	216 X 165 X 51 MM	PLASTIC
A5 REAM BOX	216 X 165 X 51 MM	BROWN
A5 REAM BOX	216 X 165 X 51 MM	WHITE



REAM BOX

COMPLIMENT SLIP BOXES

Description	Metric Size	Colour	Box Qty
1/3 A4 COMP SLIP BOX	216 X 102 X 64 MM	BROWN	100
1/3 A4 COMP SLIP BOX	216 X 102 X 64 MM	WHITE	100
1/3 COMP SLIP BOX	214 X 104 X 51 MM	PLASTIC	100



COMPLIMENT SLIP BOX

ARCHIVE BOX

Description	Metric Size
ARCHIVE BOX	470 X 355 X 275 MM
ARCHIVE BOX	377 X 265 X 315 MM
ARCHIVE BOX	359 X 283 X 240 MM
ARCHIVE BOX	359 X 283 X 160 MM



ARCHIVE BOX

HEAT TREATED PALLET CONTAINER BOXES

Description	Metric Size
½ EUROPA PALLET BOX	770 X 570 X 660 MM
1/1 EUROPA PALLET BOX	1170 X 770 X 660 MM
½ CONTAINER PALLET BOX	1075 X 870 X 550 MM
1/1 CONTAINER PALLET BOX	1075 X 870 X 900 MM

Used for the transport of heavy items or a bulk pack of goods.
 Cap, tray and sleeve pallet box are supplied with a wooden pallet.
 Heat treated as standard



PALLET BOX



PICTURE PACK

PICTURE PACK BOX

Metric Size	Imperial Size	Grade
385 X 55 X 455 MM	15.4 X 2.2 X 18.2"	125KT/BC

WARDROBE CARTONS WITH HANGING BAR

Metric Size	Imperial Size	Grade
508 X 457 X 1219 MM	20 X 18 X 48"	150KT/BC



WARDROBE CARTONS



DIE CUT BOXES



DIE CUT BOXES

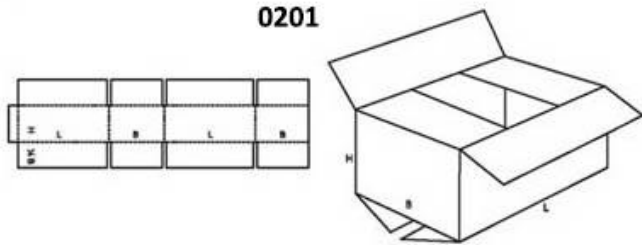
Description	Metric Size
0426 SELF LOCKING DIE CUT	105 X 63 X 35MM
0426 SELF LOCKING DIE CUT	170 X 140 X 80MM
0426 SELF LOCKING DIE CUT	228 X 228 X 67MM
0426 SELF LOCKING DIE CUT	320 X 230 X 170MM
0426 SELF LOCKING DIE CUT	340 X 229 X 80MM
0426 SELF LOCKING DIE CUT	356 X 279 X 64MM
0426 SELF LOCKING DIE CUT	430 X 330 X 220MM
0426 SELF LOCKING DIE CUT	457 X 356 X 63MM
0426 SELF LOCKING DIE CUT	474 X 419 X 64MM

BESPOKE CARTONS

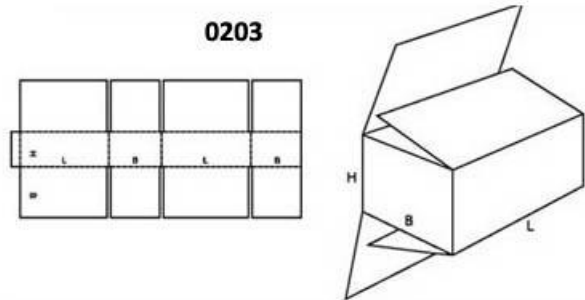
We have the ability to produce bespoke cartons to your specification. Whether it's printed, plain or die-cut, contact us for a fast and competitive quote

FEFCO BOX STYLES

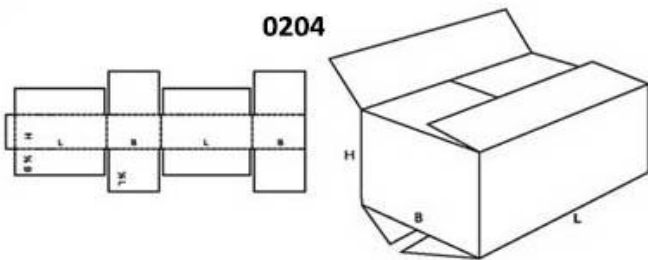
0201



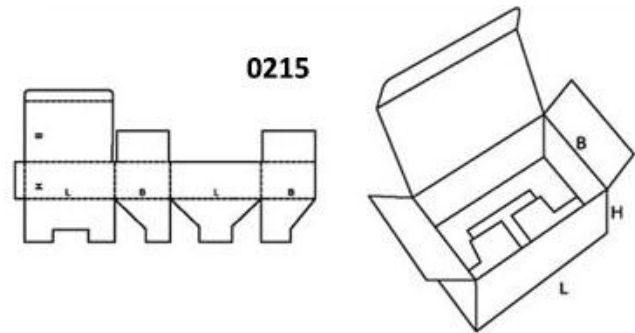
0203



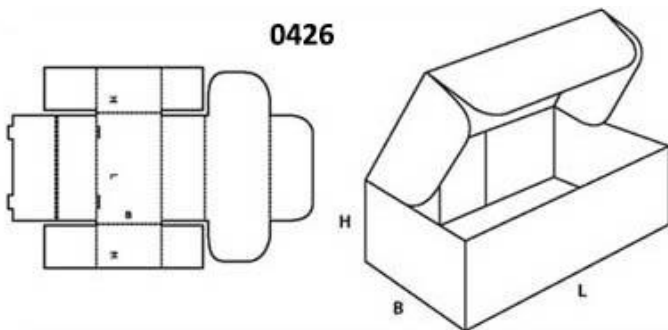
0204



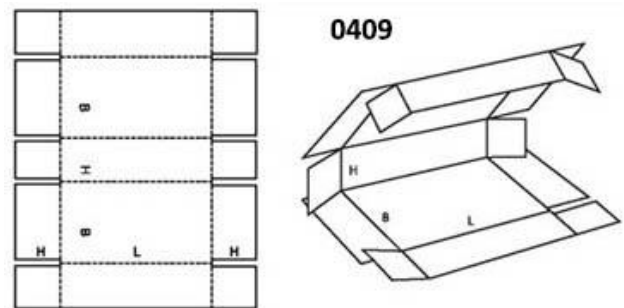
0215



0426



0409

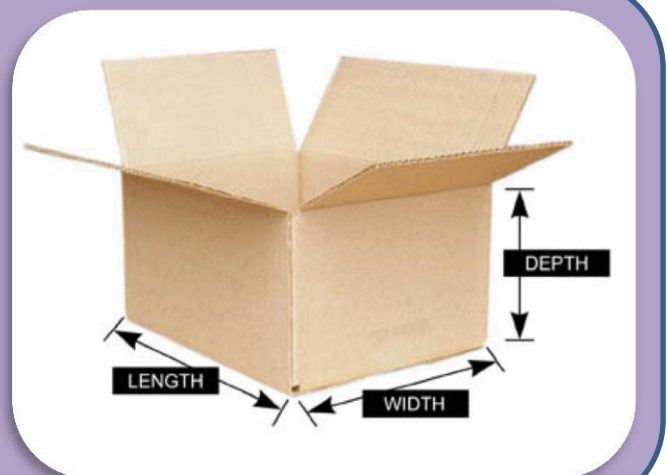


MEASURING A BOX

It is important to know the correct method when measuring boxes so that we are able to provide you with the correct size.

Dimensions are usually measured internally and presented in millimetres

Length (L) x Width (W) x Height/Depth (H/D)



Sealed Air

We are stockists of Sealed Air products, the brand leader in barrier bubble protective packaging

EL Light – With the same warehouse space you can store 46% more AirCap E Bubble in comparison to the standard brands. Besides the reduction of CO2 emission, AirCap E is reusable and recyclable.

The use of the barrier allows for use of a thinner film that also contributes to source reduction.



SMALL BUBBLE WRAP (EL)

Roll Width	Roll Length	Split To
1200MM	100M	1 x 1200MM
1200MM	100M	2 x 600MM
1500MM	100M	1 x 1500MM
1500MM	100M	2 x 750MM
1500MM	100M	3 x 500MM
1500MM	100M	5 x 300MM



SMALL BUBBLE



LARGE BUBBLE

LARGE BUBBLE WRAP (HL)

Roll Width	Roll Length	Split To
1200MM	50M	1 x 1200MM
1200MM	50M	2 x 600MM
1500MM	50M	1 x 1500MM
1500MM	50M	2 x 750MM
1500MM	50M	3 x 500MM
1500MM	50M	5 x 300MM

OTHER SIZES AND GRADES OF BUBBLE WRAP ARE AVAILABLE, PLEASE ENQUIRE.

SELF SEAL BUBBLE BAGS WITH LIP

Metric Size	Imperial Size	Product Ref	Box Qty
100 x 135 + 30mm	4 x 5.25"	BP1	750
130 x 185 + 30mm	5.12 x 7.25"	BP2	500
180 x 235 + 30mm	7 x 9.25"	BP3	300
230 x 285 + 30mm	9 x 11.25"	BP4	300
280 x 360 + 30mm	11 x 14"	BP5	150
305 x 435 + 30mm	12 x 17"	BP6	150
380 x 435 + 30mm	15 x 17"	BP7	100
250 x 305 + 30mm	10 x 12"	BP8	200



ANTI-STATIC SMALL BUBBLE WRAP

Roll Width	Roll Length	Split To
1200MM	100M	1 x 1200MM
1200MM	100M	2 x 600MM
1500MM	100M	1 x 1500MM
1500MM	100M	2 x 750MM
1500MM	100M	3 x 500MM
1500MM	100M	5 x 300MM

ANTI-STATIC LARGE BUBBLE WRAP

Roll Width	Roll Length	Split To
1200MM	50M	1 x 1200MM
1200MM	50M	2 x 600MM
1500MM	50M	1 x 1500MM
1500MM	50M	2 x 750MM
1500MM	50M	3 x 500MM
1500MM	50M	5 x 300MM



ANTI-STATIC BUBBLE WRAP

OTHER SIZES AND GRADES OF ANTI STATIC BUBBLE WRAP ARE AVAILABLE, PLEASE ENQUIRE.



ANTI-STATIC BUBBLE BAGS

ANTI-STATIC SELF SEAL BUBBLE BAGS WITH LIP

Metric Size	Imperial Size	Product Ref	Box Qty
100 x 135 + 30mm	4 x 5.25"	ASBP1	750
130 x 185 + 30mm	5.12 x 7.25"	ASBP2	500
180 x 235 + 30mm	7 x 9.25"	ASBP3	300
230 x 285 + 30mm	9 x 11.25"	ASBP4	300
280 x 360 + 30mm	11 x 14"	ASBP5	150
305 x 435 + 30mm	12 x 17"	ASBP6	150
380 x 435 + 30mm	15 x 17"	ASBP7	100

FLO-PAK LOOSEFILL

Pack Size	Pack Quantity
15 CUBIC FEET	BAG



Made from 100% recycled EPS material and with the classic figure eight design, 'Flo Pak' is perfect for filling the void spaces within a box and creates superb protection for even the most unusually shaped item.

'Flo Pak' chips are green in colour

EDGE GUARDS

Size	Wall Thickness
35 X 35MM X 1MTR	3MM
35 X 35MM X 2MTR	3MM
60 X 60MM X 900MM	3MM
60 X 60MM X 1MTR	3MM
75 X 75MM X 1055MM	3MM
50 X 50MM X 1MTR	3MM
35 X 35MM X 1200MM	3MM



Kraft edge board for reinforcing, stabilising and protecting the edges of pallet loads. 100% recyclable at a low cost

EDGE GUARDS



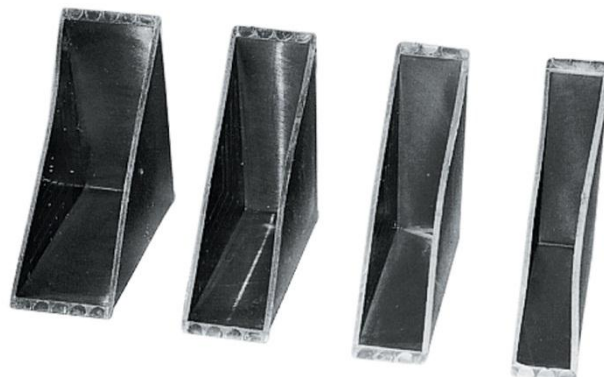
EXPANDING CORNERS

EXPANDING CORNER PROTECTORS

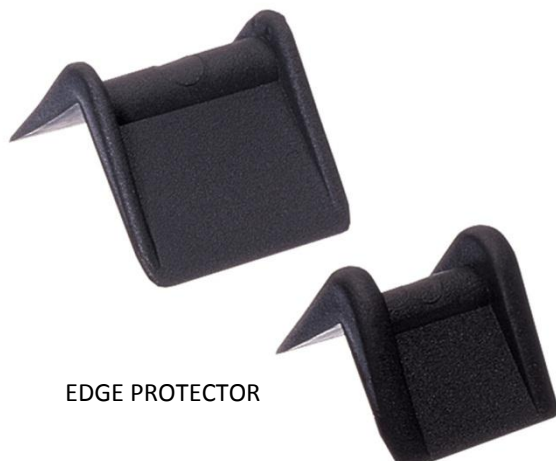
Description	Case Quantity
MEDIUM EXPANDABLE TO SUIT 16MM – 40MM	1000
LARGE EXPANDABLE TO SUIT 35 – 70MM	250

CLOSED CORNER PROTECTORS

Size	Case Quantity
60 X 60 X 15MM	1000
60 X 60 X 18MM	1000
60 X 60 X 22MM	850
60 X 60 X 28MM	700
60 X 60 X 40MM	600



PLASTIC CORNER



EDGE PROTECTOR

EDGE PROTECTORS

Size	Case Quantity
28 X 25MM	1000
37 X 32MM	1000
48 X 42MM	850
57 X 48MM	700

Individual rigid plastic edge protectors for protecting the edges of strapped packages



Cell-Aire®



CELL-AIRE FOAM

Cell-Aire Foam is the perfect non-abrasive, non-corrosive item for packaging delicate products. It's lightweight and flexible design ensures that the product is protected from scratches and abrasions that can occur during transit. Cell-Aire is water resistant and is supplied in various thicknesses to suit the needs of the user.

Similar to our bubble wrap, Cell-Aire Foam is supplied as a 1500mm wide roll but can be cut to the following widths.

- 1500mm - Cut 2 x 750mm**
- 1500mm - Cut 3 x 500mm**
- 1500mm - Cut 5 x 300mm**

CELL-AIRE POLYTHENE FOAM

Roll Width	Thickness	Roll Length	Area Square Meters
1500MM	0.7MM	300M	450
1500MM	1.0MM	300M	450
1500MM	1.5MM	200M	300
1500MM	2.5MM	120M	180
1500MM	4.0MM	75M	112.5



L CHANNEL FOAM

U & L CHANNEL FOAM

Description	Size	Qty Per Box
U-PROFILE FOAM EDGES	5-15MM X 2M	400M
U-PROFILE FOAM EDGES	15-25MM X 2M	300M
U-PROFILE FOAM EDGES	25-35MM X 2M	240M
U-PROFILE FOAM EDGES	35-45MM X 2M	180M
U-PROFILE FOAM EDGES	45-60MM X 2M	100M
U-PROFILE FOAM EDGES	60-80MM X 2M	80M
U-PROFILE FOAM EDGES	80-100MM X 2M	72M
U-PROFILE FOAM CORNERS	5-15MM X 100 X 100MM	900
U-PROFILE FOAM CORNERS	15-25MM X 100 X 100MM	600
U-PROFILE FOAM CORNERS	25-35MM X 100 X 100MM	450
U-PROFILE FOAM CORNERS	35-45MM X 100 X 100MM	300
U-PROFILE FOAM CORNERS	45-60MM X 100 X 100MM	500
U-PROFILE FOAM CORNERS	60-80MM X 100 X 100MM	400
U-PROFILE FOAM CORNERS	80-100MM X 100 X 100MM	280
L-PROFILE FOAM EDGES	50 X 50MM X 2M	480M
L-PROFILE FOAM EDGES	75 X 75M X 2M	200M

POLYTHENE TOP COVERS

Sheet Size	Micron	Covers Per Roll
900/1800 x 1800MM	50M	150



PROTECTIVE SLEEVING

Colour	Min Size	Max Size	Length	Box Qty
CLEAR	7MM	15MM	200MTR	4
VIOLET	10MM	20MM	200MTR	4
BLUE	25MM	50MM	200MTR	4
YELLOW	35MM	70MM	200MTR	2
BROWN	50MM	75MM	200MTR	2
RED	50MM	100MM	200MTR	2
ORANGE	75MM	150MM	50MTR	2

Protective sleeving provides an effective solution to the problems of surface damage to goods during storage and transit. Available in a range of colour coded sizes the sleeves are flexible enough to protect damage prone items such as glass, ceramics and furniture.



PROTECTIVE SLEEVING

NET SACKS

Description	Size	Quantity
GREEN NET SACKS	32X48CM	1000
GREEN NET SACKS	46X59CM	1000

A strong and effective solution for packaging various types of fresh produce. Net bags are also widely used for the packing of logs and kindling wood.



NET SACKS

CORRUGATED CARDBOARD ROLLS

Roll Width	Roll Length
150MM	75M
300MM	75M
600MM	75M
750MM	75M
900MM	75M
1200MM	75M
1500MM	75M
1800MM	75M

Ideal for interleaving and separating products, corrugate cardboard rolls are flexible, lightweight and offer great protection for delicate surfaces and lightweight items. Manufactured from recycled paper and recyclable.



CORRUGATED ROLL

AIRPOUCH EXPRESS 3 PILLOW PACK SYSTEM



The AirPouch Express 3 Tabletop Void-fill System provides on-demand, easy-to-use AirPouch EZ-Tear™ air pillows for high packing productivity, reduced shipping costs, and increased customer satisfaction. Operating at speeds over 50 feet per minute in semi- or fully-automatic modes.

AirPouch Express 3 creates continuous strips of air pillows that are ideal for all protective packing applications. Weighing in at just 35 pounds, this compact, all-electric system features operator-friendly controls and virtually maintenance-free operation. Simply plug the unit in, load the air pillow material, and start packing.

The AirPouch Express 3 also offers a wide variety of accessories and integrated system configurations for optimum productivity in each unique application. Basic accessories can be added to the Express 3 to create a simple, stand-alone packing station, or the system can be integrated into existing workstations for high productivity, multi-user order fulfillment operations.

WE OFFER A WEEKS FREE TRIAL ON THE AIRPOUCH MACHINE, PLEASE CONTACT US TO ARRANGE A DEMONSTRATION

HEAVY GAUGE MATERIAL

Pouch Size	Linear Metres Per Box	Pouches Per Box
200 X 400MM	900	2250
200 X 200MM	900	4500
200 X 150MM	900	6000
200 X 100MM	900	9000

LIGHT GAUGE MATERIAL

Pouch Size	Linear Metres Per Box	Pouches Per Box
200 X 400MM	1200	3000
200 X 200MM	1200	6000
200 X 150MM	1200	8000
200 X 100MM	1200	12000

We offer our Airpouch film in 4 popular sizes in either heavy or light gauge. We also offer four different film types to suit the varying needs of our customers

- Standard Clear**
- Oxo Degradable**
- Reprocessed**
- Reprocessed Degradable**



Our cardboard carton shredders turn small quantities of old cardboard into void fill packing material in seconds. The shredders can create either a padding material or flat padding mats to reduce and reuse waste cardboard. Each model is very operator friendly and most come complete with built in dust extraction



CP320S2 CARDBOARD SHREDDER SINGLE PHASE

- Produces void-fill at approximately 12m/min
- Maximum run time 2 – 3 hours
- Cuts up to 320mm wide
- Cuts up to 12mm thick
- Dimensions 660mm **W**
660mm **D**
1060mm **H**



CP422S2 CARDBOARD SHREDDER SINGLE PHASE

- Produces void-fill at approximately 13m/min
- Unlimited run time
- Cuts up to 420mm wide
- Cuts up to 15mm thick
- Dimensions 660mm **W**
660mm **D**
980mm **H**



CP428S2 CARDBOARD SHREDDER THREE PHASE

- Produces void-fill at approximately 14m/min
- Unlimited run time
- Cuts up to 420mm wide
- Cuts up to 17mm thick
- Dimensions 800mm **W**
750mm **D**
1100mm **H**

PACKTIGER™ RS PAPER CUSHIONING SYSTEM

Unrivalled Speed in the Market:

- Custom-length paper pads at up to 150 per minute.

Versatile:

- Cushioning and blocking and bracing techniques.

Environmentally Friendly:

- 100% of Recycled Paper.
- Patented single-motor design with less power consumption.
- Less but excellent lofted, strong and durable pads to provide more protection for your product.

Dependable and Durable:

- Requires minimal service which means greater uptime.

Many accessories available:

- Foot-pedal for manual and batch mode.
- Easy Loading cart.
- 5 roll trolley.
- Specially developed packaging bench.
- Conveyor belt sensor.



FASFIL® EZ™ PAPER VOID FILL SYSTEM

Sealed Air's innovative new FasFil® EZ™ paper void-fill system dispenses single ply paper void fill and is perfect for individual packing stations. The unique crimping mechanism helps you make more efficient use of packaging materials by producing more cubic metre of void-fill material per square metre of paper used.

Easy to Use - Dispense the paper in a programmed length or a continuous length and the built-in cutting mechanism allows for easy release of paper

Easy to Set Up - Mount the system on a floor stand or on a table and adjust the system to the height desired

Responsible Packaging - FasFil® EZ™ material is made from 100% recycled paper, and the lofted, crimped design minimizes waste by reducing the amount of packaging material needed

We can arrange a visit to your premises to assess your packaging needs and arrange a trial of any of these machines. Call us now for an appointment

STRAPPING KITS & DISPENSERS



PLASTIC HAND STRAPPING KIT

Start up plastic strapping kit consisting of the following
 1 x Strapping Trolley
 1 x Combination Tool
 1 x Box of Seals
 1 x Roll of Black Strapping
(Kit can be customised to your specification – please ask)

PRO SERIES PD40



PD40 Mobile dispenser for Polyprop strapping on plastic reel

PRO SERIES PSD4



PSD4 Static dispenser for polyprop strapping on plastic reel

PRO SERIES PCS6



PCS6 Static dispenser for composite polyprop strapping on 200mm Diameter x150/190mm wide core

PRO SERIES PMC80



PMC80 Mobile dispenser for composite polyprop strapping on cardboard core 200mm Diameter x 150/190mm Wide Core

PRO SERIES NSD800



NSD800 Narrow Ribbon Steel strapping holder, ideal for narrow environments. Suitable for 12 – 32mm strapping.

PRO SERIES PTD406



PTD406 Mobile dispenser for polyprop/polyester strapping on cardboard core

PRO SERIES MW60



MW60 Mobile trolley for mill wound (oscillated) steel strapping

PRO SERIES CSD3



CSD3 Static dispenser for woven polyester strapping

PRO SERIES CSM20




CSM20 Mobile dispenser for woven polyester strapping

POLYPROP COOMBINATION TOOLS

PRO SERIES B12



B12 Budget combination tool for polyprop strapping – 12mm only

 USE S034 SEMI OPEN SEALS

PRO SERIES SPC12/16



SPC12/16 12mm – 16mm standard combi tool for polyprop strapping. Available in 12mm or 16mm

 SPC12 USE S034 SEMI OPEN SEALS
SPC16 USE S016 SEMI OPEN SEALS

POLYPROP STRAPPING TENSIONERS

PRO SERIES TST30



TST30 Standard tensioner for polyprop strapping up to 16mm

PRO SERIES TB301




TB301 Heavy duty tensioner for polyprop strapping up to 19mm

POLYPROP STRAPPING SEALERS

PRO SERIES SGP12/16




SGP12/16 – 12mm/16mm standard polyprop strapping sealer

 SPG12 USE S034, S01232, SC12 SEALS
SPG16 USE S016, S01632 SEALS

OPTIMAX PSH12/16



PSH12/16 – 12mm/16mm Heavy duty polyprop strapping sealer

 PSH12 USE S034, S01232, SC12 SEALS
PSH16 USE S016, S01632 SEALS

EXTRUDED POLYESTER STRAPPING TOOLS

OPTIMAX HPT50

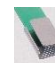


HPT50 Heavy duty tensioner for Polyester strapping up to 19mm

PRO SERIES KNS12/16



KNS12/16 – 12mm/16mm Polyester strapping sealer with offset jaws

 USE SER SERRATED SEAL

STEEL STRAPPING TOOLS

PRO SERIES TLS20




TLS20 Standard tensioner for steel strapping up to 19mm

OPTIMAX TS12/16/19



TS Standard steel strapping sealer. Available in 13mm, 16mm & 19mm

 USE SOS SNAP ON SEAL

OPTIMAX QST12/16/19



Heavy duty Stainless steel combination tool. Fully adjustable for 13mm, 16mm & 19mm (no seal required)

OPTIMAX OHT12/16/19



Heavy duty Stainless steel combination tool. Fully adjustable for 13mm, 16mm & 19mm (no seal required)

SEMI-AUTO & AUTOMATIC STRAPPING MACHINES

TMS300 SEMI AUTOMATIC STRAPPING MACHINE



MODEL	TMS300
DIMENSIONS	920mm (W) x 595mm (D) x 785mm (H)
TENSION	15-45KGS
STRAP WIDTH	6mm – 15.5mm
STRAP SPEED	2.5 seconds/cycle (60hz)
POWER SUPPLY	230v/50Hz
CONSUMPTION	0.3kw

The TMS300 is a reliable semi automatic strapping machine. Simple to operate, feed the strapping around the package and the machine automatically tensions and heat seals the strap. Accepts polyprop machine strapping from 6mm – 16mm wide on 200mm or 280mm cores. Designed to provide a quick efficient method of strapping single or multiple packages of varying sizes. This machine features external tension control, a safety cut-out switch when the top is opened and the enclosed cabinet design keeps the strapping clean and dust free

TRS600 AUTOMATIC STRAPPING MACHINE



MODEL	TRS600
DIMENSIONS	1430mm (W) x 620mm (D) x 1540mm (H)
TENSION	10-70KGS
STRAP WIDTH	9mm – 12mm – 15.5mm
STRAP SPEED	2.2 seconds/cycle (60hz)
POWER SUPPLY	230v/50Hz
CONSUMPTION	1.2kw

The TRS600 Automatic machine is designed for strapping high volumes of cartons and packages. Simply place the pack under the arch and at the press of a button the machine will automatically strap the pack. The TRS600 is capable of up to 27 straps per minute providing an efficient solution to your strapping needs. The main features are external tension control – to suit pack application, short feed sensor – to prevent misfeeds. A range of sizes are available to suit your application.

AFS900 EVOLVE AUTOMATIC STRAPPING MACHINE



MODEL	AFS900 EVOLVE
DIMENSIONS	1430mm (W) x 620mm (D) x 1540mm (H)
TENSION	10-70KGS
STRAP WIDTH	9mm – 12mm – 15.5mm
STRAP SPEED	2.2 seconds/cycle (60hz)
POWER SUPPLY	230v/50Hz
CONSUMPTION	1.2kw

The AFS900 Evolve automatic strapping machine is one of the most advanced in it's class. Based on the TRS600 design and incorporating features such as auto strap feed – for easy strap loading, short feed sensor and re-feed function – reducing mis-feeds. Electronic tension control – for quick and simple tension adjustment. Auto loop ejector which eliminates downtime

PLASTIC HAND STRAPPING

Width	Length	Colour	Break Strain
12MM	1000M	BLACK	260KG
12MM	2000M	BLACK	150KG
12MM	1000M	YELLOW	310KG
12MM	1300M	BLACK	220KG
12MM	1000M	BLUE	300KG
12MM	1500M	BLACK	190KG
16MM	1200M	BLACK	240KG

Versatile, light and flexible: this polypropylene hand strapping on plastic reels has a breaking strain from 120 to 310 kg and is recommended for parcels, bundles and light pallets



PLASTIC HAND STRAPPING



PLASTIC MACHINE STRAPPING

Manufactured to the highest standards with regular embossing and straight, parallel edges, this polypropylene machine strapping is suitable for use with all makes of semi and fully automatic strapping machines.

PLASTIC MACHINE STRAPPING

Width	Length	Colour	Break Strain	Core Size
12MM	3000M	WHITE	135KG	200/190
12MM	3000M	BLUE	135KG	200/190
12MM	3000M	BLACK	125KG	200/190
12MM	2500M	WHITE	130KG	280/190
7MM	5000M	WHITE	96KG	200/190
7MM	5000M	RED	96KG	200/190
9MM	4000M	WHITE	85KG	200/190
9MM	4000M	BLUE	85KG	200/190

CORDED POLYESTER STRAPPING

Width	Length	Core	Break Strain
13MM	1100M	78MM	375KG
16MM	850M	78MM	765KG
16MM	650M	78MM	600KG
19MM	600M	78MM	550KG
19MM	500M	78MM	725KG
19MM	500M	78MM	950KG
25MM	500M	78MM	950KG
32MM	300M	78MM	1500KG
38MM	100M	78MM	2000KG



POLYESTER STRAPPING



STEEL STRAPPING

STEEL STRAPPING

Size	Length	Breaking Strain
13 X 0.5MM	395M	560KG
16 X 0.5MM	395M	720KG
19 X 0.5MM	395M	850KG

Steel strapping is the strongest strapping available and is used for heavy duty applications of up to approx 850kg. The strapping is applied using hand tools and seals or by the seal less combination hand tool.

POLYPROP AND POLYESTER STRAPPING SEALS

Description	Size	Case Quantity
SO10 SEMI OPEN SEAL	10 X 25 X 0.5MM	2000
SO34 SEMI OPEN SEAL	12 X 25 X 0.5MM	2000
SO16 SEMI OPEN SEAL	16 X 25 X 0.5MM	2000
SP1232 SEMI OPEN SEAL	12 X 32 X 0.6MM	2000
S01632 SEMI OPEN SEAL	16 X 32 X 0.6MM	2000
SC12 CLOSED SEAL	12 X 25 X 0.5MM	2000
MAX16 OPTIGRIP SEAL	16MM	1000
PMAG12 MAGAZINE SEAL	13 X 33 X 0.6MM	2500
HMAG12 MAGAZINE SEAL	12 X 33 X 0.8MM	2500

Our semi-open metal strapping seals allow you to place the seal onto the strapping at any point and seal anywhere along the strap. The crimped seal closure provides extra grip on the strap when sealed for extra security during storage and transit.



MAX16



SC12



SO SEAL



PMAG12



HMAG12

OPTIGRIP STRAPPING BUCKLES

Description	Wire Thickness	Case Quantity
13MM OPTIGRIP SHERADISED BUCKLES	3MM	1000
16MM OPTIGRIP SHERADISED BUCKLES	3.5MM	1000
19MM OPTIGRIP SHERADISED BUCKLES	3.8MM	1000
25MM OPTIGRIP SHERADISED BUCKLES	5MM	400
35MM OPTIGRIP SHERADISED BUCKLES	7MM	250

High performance sheradised metal buckles for woven and hotmelt polyester strapping



GALVANISED BUCKLE

GALVEX STRAPPING BUCKLES

Description	Wire Thickness	Case Quantity
13MM GALVEX GALVANISED BUCKLES	3MM	1000
16MM GALVEX GALVANISED BUCKLES	3.5MM	1000
19MM GALVEX GALVANISED BUCKLES	3.8MM	1000
25MM GALVEX GALVANISED BUCKLES	5MM	400
35MM GALVEX GLAVANISED BUCKLES	7MM	250

Galvanised buckles for polyprop and composite strapping



OPTIGRIP BUCKLE

VANGUARD BLANKETS

Product Description	Size
5PLY BLANKETS	1050 X 1800MM
SILICON BASED 5PLY BLANKETS	1050 X 1800MM

Paper removal blankets, can be printed subject to minimum order quantities



NEWS PAPER OFFCUTS

Sheet Size	Colour	Weight Per Pack
17 X 20"	WHITE	10KG
20 X 30"	WHITE	10KG

News offcuts can be used for general wrapping applications as well as for 'scrunch' filling of voids when packing cases. Manufactured from unprinted white newsprint paper

KRAFT PAPER ROLLS

Roll Width	Gsm
500MM	70
600MM	70
900MM	90



Ideal for wrapping parcels and packages and providing additional protection and a smart finish, our Kraft rolls are of superb quality and are perfect for medium to heavy duty use

KRAFT ROLL

WHITE CAP TISSUE PAPER

Size	Pack Quantity
16 X 24"	480 SHEETS
18 X 28"	480 SHEETS
18 X 28" ACID FREE	480 SHEETS



Commercially acid free white cap tissue is ideal for wrapping most products especially fragile items such as glass

PURE KRAFT SHEETS

Size	Pack Quantity
500 x 750MM	480 SHEETS



Pure Kraft sheets cut to size and ready to use



COLOURED TISSUE CAN BE FOUND ON PAGE 37

QUALITY VINYL SEALING TAPE

Roll Width	Roll Length	Case Quantity	Roll Type/Colour
25MM	66M	72	CLEAR
50MM	66M	36	CLEAR
25MM	66M	72	BUFF
50MM	66M	36	BUFF
75MM	66M	24	CLEAR
75MM	66M	24	BUFF



LOW NOISE POLYPROP TAPE

Roll Width	Roll Length	Case Quantity	Roll Type
50MM	66M	36	BUFF
50MM	66M	36	CLEAR

Cellofix Vinyl premium tape is of a high quality and is currently our best case sealing tape available.

ECONOMY POLYPROPYLENE TAPE

Roll Width	Roll Length	Case Quantity	Roll Type/Colour
25MM	66M	72	CLEAR
50MM	66M	36	CLEAR
25MM	66M	72	BUFF
50MM	66M	36	BUFF



GLASS TAPE

PRINTED POLYPROPYLENE TAPES

Roll Width	Roll Length	Case Quantity	Print
25MM	66M	72	HWC GLASS
50MM	66M	36	FRAGILE
25MM	66M	72	QUARANTINE
50MM	66M	36	HANDLE WITH CARE
50MM	66M	36	CAUTION



FRAGILE TAPE

COLOURED TAPE

Roll Width	Roll Length	Case Quantity	Colour	Tape Type
50MM	66M	36	BLUE	POLYPROP/VINYL
50MM	66M	36	WHITE	POLYPROP/VINYL
50MM	66M	36	RED	POLYPROP/VINYL
50MM	66M	36	YELLOW	POLYPROP/VINYL
50MM	66M	36	ORANGE	POLYPROP/VINYL
50MM	66M	36	GREEN	POLYPROP/VINYL
50MM	66M	36	BLACK	POLYPROP/VINYL



COLOURED TAPE



Easy tear and removes cleanly after use

MASKING TAPE

Roll Width	Roll Length	Case Quantity
25MM	50M	72
38MM	50M	48
50MM	50M	36



We stock branded sellotape

CROSS WEAVE TAPE

Roll Width	Roll Length	Case Quantity
12MM	50M	72
25MM	50M	36
38MM	50M	24
50MM	50M	18
75MM	50M	12
100MM	50M	12

An extremely high strength cross woven filament tape, for use in pallet wrapping and general bundling applications



CROSS WEAVE TAPE



SELF ADHESIVE KRAFT PAPER TAPE

Roll Width	Roll Length	Case Quantity
25MM	50M	18
50MM	50M	72
75MM	50M	36
100MM	50M	24

Kraft paper tape widely used within the framing industry.



Gummed Paper Tape Dispenser

GUMMED PAPER TAPE

Roll Width	Roll Length	Case Quantity
36MM	200M	18
50MM	50M	72
75MM	50M	36
100MM	50M	24

A paper based water activated adhesive tape. Gummed paper tape penetrates into the fibres of the carton creating a total tamper evident bond. This tape is best used with a gummed tape dispenser, please enquire for details



BESPOKE PRINTED TAPES

We specialise in tapes printed with your logo. All varieties and size of tape available starting from just 36 rolls. please enquire for details.

TAPE DISPENSERS

Description	Roll Size
PISTOL GRIP TAPE DISPENSER WITH BRAKE	50MM
PISTOL GRIP TAPE DISPENSER WITH BRAKE	75MM
BONUS TAPE DISPENSER	50MM (38MM CORE)



50MM GUN



BAG NECK SEALER & LASSO TAPE

BAG NECK SEALER & TAPES

Description/ Size	Case Quantity
BAG NECK SEALING MACHINE	1
LASSO TAPE RED	6 ROLLS
LASSO TAPE YELLOW	6 ROLLS
LASSO TAPE BLUE	6 ROLLS

BONUS TAPE

Description	Metric Size	Case Quantity
BONUS CLEAR SOLVENT TAPE	50MM X 150M (38MM CORE)	36
BONUS CLEAR HOTMELT TAPE	50MM X 66M (75MM CORE)	36
BONUS BROWN HOTMELT TAPE	50MM X 66M (75MM CORE)	36
BONUS BROWN HOTMELT TAPE	50MM X 150M (38MM CORE)	36
BONUS CLEAR HOTMELT TAPE	50MM X 150M (38MM CORE)	36

Bonus tape is available in 150m rolls which means fewer roll changes are required. Bonus tape also provides good adhesion to both warm and cold surfaces. Requires use of the silent or bonus dispenser.



DOUBLE SIDED TAPE

Metric Size	Case Quantity
12MM X 50MTR	144
19MM X 50MTR	96
25MM X 50MTR	72
50MM X 50MTR	36

A general purpose double sided polyprop film, hotmelt adhesive



DOUBLE SIDED TAPE

CLOTH TAPE (DUCT)

Colour	Metric Size	Case Quantity
BLACK	50MM X 50MTR	24
WHITE	50MM X 50MTR	24
SILVER	50MM X 50MTR	24
RED	50MM X 50MTR	24
BLACK	75MM X 50MTR	16
WHITE	75MM X 50MTR	16
SILVER	75MM X 50MTR	16
RED	75MM X 50MTR	16
BLACK	90MM X 50MTR	12
WHITE	90MM X 50MTR	12
SILVER	90MM X 50MTR	12

Vinyl cloth reinforced tape in various colours with aggressive adhesive backing. The ultimate maintenance aid. A must for temporary repair work, studio and artwork. Waterproof, suitable for use on pipes, ducts and insulation



CLOTH TAPE

PALLET WRAP CLEAR (CAST FILM)

Roll Width	Roll Length	Micron	Core	Case Quantity
400MM	250M	17	STANDARD	6
400MM	250M	17	EXTENDED	6
400MM	250M	20	STANDARD	6
400MM	250M	20	EXTENDED	6
400MM	200M	34	STANDARD	6
400MM	200M	34	EXTENDED	6



Pallet wrap is an effective way to stabilise goods on a pallet keeping away dirt and moisture.



PALLET WRAP DISPENSER



PALLET WRAP BLACK (CAST FILM)

Roll Width	Roll Length	Micron	Core	Case Quantity
500MM	200M	25	STANDARD	6
500MM	200M	25	EXTENDED	6

Sometimes referred to as 'security film', black wrap is super strong and is opaque to hide the goods that are wrapped.

MACHINE WRAP

Roll Width	Roll Length	Micron	Case Quantity
500MM	1700M	20	1

Designed to be used with a power pre-stretch wrapping machine, Our cast Machine pallet wrap systems are ideal where very high volume and continuous pallet wrapping is required.



HANDY WRAP

Roll Width	Roll Length	Micron
100MM	150M	15



HANDY WRAP DISPENSER

Other sizes and thicknesses of wrap are available, please enquire

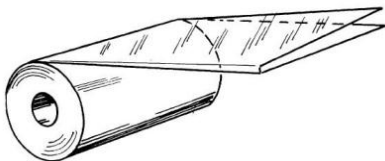
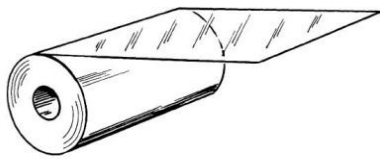
Small and lightweight, Handy wrap rolls are ideal for bundling up lighter items or for those who are wrapping infrequently. These are best used with our handy wrap dispenser



CENTRE FOLD SHRINK FILM

Roll Length	Micron	Qty Per Roll
1250/2500MM	125	85M

Centre fold polythene is ideal for stabilising and protecting awkward shaped products while in transit. Polythene shrink film provides transparent all weather protection and is used with our shrink film pallet guns



SHRINK GUSSET POLYTHENE TUBING

Size	Micron	Roll Length	To Suit Load Size
1250/2250MM	125	50M	1000 X 1200MM
1200/2300MM	200	30M	1000 X 1200MM

Ideal for stabilising and protecting pallets of variable heights. Made to suit a pallet size of 1200x1000mm, simply cut the tubing to suit the height of your pallet and shrink using a heat gun.

POLYTHENE SHRINK BAGS ON ROLL

Size	Micron	Qty Per Roll	Pallet Cover Size
1200 X 800 X 1200MM	125	30	1300/2150 X 1850MM
1200 X 1000 X 1200MM	125	30	1300/2350 X 1950MM
1200 X 1200 X 1200MM	125	25	1300/2550 X 2050MM

Stabilise and protect your pallets in transit with our gusseted pallet shrink covers. We supply a range of three sizes to secure most conventional pallets. Perforated on the roll for convenience.

RIPACK 2200 PROPANE GAS SHRINK SYSTEM

- 68kw of power
- instantaneous Ignition
- Cold nozzle (no risk of burns)
- lightweight and easy to use



MOBILE SHRINK FILM DISPENSER

Shrink film dispenser on lockable castors. Expands up to 2m in width. Holds up to 3 rolls



P.V.C SHRINK FILM

Film Size	Roll Length	Micron
200/400MM	600M	19
250/500MM	600M	19
300/600MM	600M	19
350/700MM	600M	19
400/800MM	600M	19
450/900MM	600M	19
500/1000M	600M	19



POLYOLEFIN SHRINK FILM

Film Size	Roll Length	Micron
250/500MM	1335M	15
300/600MM	1335M	15
350/700MM	1335M	15
300/600MM	1070M	19

Centre fold shrink film is used in a variety of packing applications, to protect and enhance the look of a product. Used in combination with a sealer and heat gun.

IBAR450 ECONOMICAL PORTABLE I-BAR SEALER 450MM

No warm time needed, outlet plug 240v
450 x 800mm/7.5kg. Requires HAB1500 Hot Air Gun



LBS300 L-BAR HEAT SEALER

For 300mm PVC shrink film.
Requires unrolling device and HAB1500 Hot Air Gun



PVC SHRINK FILM SYSTEM

Comprises of 1 x 400mm **Impulse Sealer**, 1 x **HAB1500** Hot Air Gun and 1 x 450mm **Film Unroller**



HAB1500 HOT AIR GUN & STAND

For PVC Shrink Film



Our shrink chamber machines offer the very best in heat shrinking technology. All models seal and shrink in one operation using our range of centre fold shrink films. The film is kept open around the product loading tray. The operator then inserts the product and moves it along with the film to the sealing position and then lowers the hood to initiate the sealing process..

SC238 HEAT SHRINK CHAMBER MACHINE

POWER SUPPLY:	110/220/230/240V. 50/60HZ. 1-PHASE
MAX CONSUMPTION POWER	3.2KW
EFFECTIVE POWER CONSUMPTION	1.3-1.9KW
SEALING DIMENSION	280MM (D) X 380MM (I)
MAX HEIGHT OF PACKAGE	120MM
MACHINE DIMENSION	1020MM (L) X 620MM (W) X 550MM (H)
MAX DIMENSION OF FILM	360MM X 250MM



SC346 HEAT SHRINK CHAMBER MACHINE

POWER SUPPLY:	110/220/230/240V. 50/60HZ. 1-PHASE
MAX CONSUMPTION POWER	3.2KW
EFFECTIVE POWER CONSUMPTION	1.3-1.9KW
SEALING DIMENSION	320MM (D) X 460MM (I)
MAX HEIGHT OF PACKAGE	120MM
MACHINE DIMENSION	1120MM (L) X 660MM (W) X 550MM (H)
MAX DIMENSION OF FILM	400MM X 250MM



SC455 HEAT SHRINK CHAMBER MACHINE

POWER SUPPLY:	110/220/230/240V. 50/60HZ. 1-PHASE
MAX CONSUMPTION POWER	3.77W
EFFECTIVE POWER CONSUMPTION	1.6-2.3KW
SEALING DIMENSION	420MM (D) X 550MM (I)
MAX HEIGHT OF PACKAGE	250MM
MACHINE DIMENSION	1320MM (L) X 820MM (W) X 645MM (H)
MAX DIMENSION OF FILM	600MM X 250MM





Our Products Protect Your Products®

MAIL LITE BUBBLE LINED MAILING BAGS

Code	Size	Case Quantity
A/000	110 X 160MM	100
B/00	120 X 210MM	100
C/0	150 X 210MM	100
D/1	180 X 260MM	100
E/2	220 X 260MM	100
F/3	220 X 330MM	50
G/4	240 X 330MM	50
H/5	270 X 360MM	50
J/6	300 X 400MM	50
K/7	350 X 470MM	50



An economical practical and lightweight postal bag. Fully lined barrier sealed bubble for superior protection. Self-seal strip on top flap saves time in a busy packing department/post room. High slip film for easy insertion. Easy to write on with excellent label adhesion

JIFFY PADDED BAGS

Code	Size	Case Quantity
000	102 X 203MM	250
00	107 X 235MM	200
0	132 X 235MM	200
1	164 X 285MM	100
2	196 X 285MM	100
3	196 X 350MM	100
4	221 X 350MM	100
5	247 X 387MM	100
6	298 X 464MM	50
7	336 X 489MM	50
8	437 X 666MM	50



Tough, reusable, recyclable. Convenient tear tape for simple, clean opening. Smooth inner lining allows easy product insertion and a pre-scored flap makes closure more efficient. Added padding for protection of heavier items.

GREY MAILING SACKS

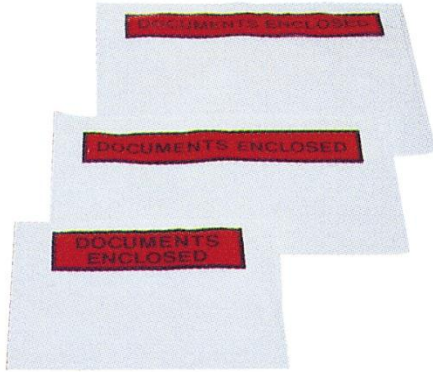
Size	Micron	Case Quantity
150 X 225MM	55	1000
225 X 318MM	55	1000
250 X 350MM	55	1000
300 X 400MM	55	500
325 X 475MM	55	500
400 X 525MM	55	500
450 X 550MM	70	200
525 X 600MM	70	200
575 X 700MM	70	200
600 X 900MM	70	200



Grey mailing bags come with a self seal peel strip closure that forms a tough seal and acts as a security or evidence of tamper proofing as when opened it causes distress to the bag

CLEAR POLY MAILERS

Size	Micron	Case Quantity
165 X 230MM	40	1000
229 X 324MM	40	1000



DOCUMENTS ENCLOSED

DOCUMENTS ENCLOSED ENVELOPES

Description	Size	Case Quantity
A5 PRINTED	225X165MM	1000
A5 CLEAR	225X165MM	1000
A6 PRINTED	160X110MM	1000
A6 CLEAR	160X110MM	1000
A7 PRINTED	118X94MM	1000
A7 CLEAR	118X94MM	1000



PRINTED POUCH TAPE

Description	Size
POUCH TAPE ON ROLL X330	8 X 6"



PRINTED POUCH TAPE

POSTAL TUBES

Paper Size	Description	External Length	Diameter	Wall Thickness
A3	POSTAL TUBE A	330MM	44.5MM	1.5MM
A2	POSTAL TUBE B	450MM	44.5MM	1.5MM
B2	POSTAL TUBE C	559MM	50.8MM	1.5MM
A1	POSTAL TUBE D	640MM	50.8MM	1.5MM
A2	POSTAL TUBE E	450MM	63.5MM	1.5MM
A1	POSTAL TUBE F	640MM	63.5MM	1.5MM
B1	POSTAL TUBE G	813MM	63.5MM	1.5MM
B2	POSTAL TUBE H	559MM	76MM	1.5MM
A1	POSTAL TUBE I	640MM	76MM	1.5MM
B1	POSTAL TUBE J	813MM	76MM	2MM
A0	POSTAL TUBE K	940MM	76MM	2MM
B0	POSTAL TUBE L	1046MM	76MM	3MM
A1	POSTAL TUBE M	6401MM	100MM	3MM
A0	POSTAL TUBE N	940MM	100MM	3MM
B0	POSTAL TUBE O	1046MM	100MM	3MM
A0	POSTAL TUBE P	940MM	127MM	3MM
B0	POSTAL TUBE R	1046MM	152MM	3MM



Standard round postal tubes supplied with plastic end plugs. Ideal for plans, posters or valuable documents.

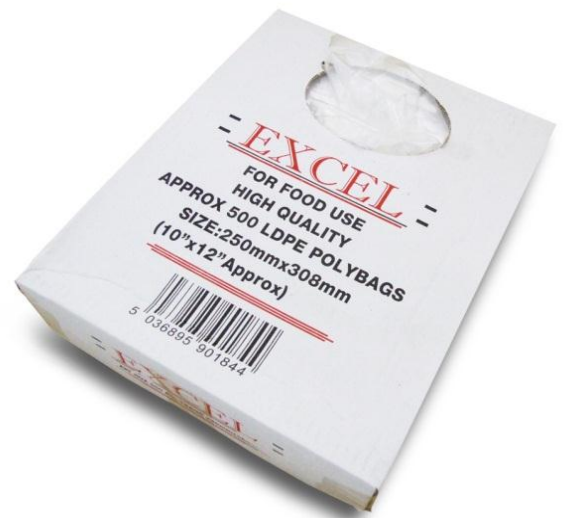
Custom sizes are available subject to minimum order quantities

CLEAR POLYTHENE BAGS

We can produce polythene bags to your size and print specification, just ask

Metric Size	Imperial Size	Available Gauges	Case Quantity
100 x 150MM	4 x 6"	120g, 200g, 250g, 500g	1000
125 x 175MM	5 x 7"	120g, 250g	1000
150 x 200MM	6 x 8"	120g, 200g, 250g, 500g	1000
175 x 225MM	7 X 9"	120G, 200G, 250G, 500G	1000
200 X 250MM	8 X 10"	120G, 150G, 200G, 250G, 500G	1000
200 X 300MM	8 X 12"	120G, 150G, 200G, 250G, 500G	1000
225 X 300MM	9 X 12"	120G, 250G, 500G	1000
250 X 300MM	10 X 12"	120G, 150G, 200G, 250G, 500G	1000
250 X 375MM	10 X 15"	120G, 150G, 200G, 250G, 500G	1000
300 X 375MM	12 X 15"	120G, 150G, 250G, 500G	1000
300 X 450MM	12 X 18"	120G, 150G, 200G, 250G, 500G	1000 & 500
375 X 500MM	15 X 20"	120G, 200G, 250G, 500G	1000 & 250
450 X 600MM	18 X 24"	120G, 150G, 200G, 250G, 500G	1000 & 250
500 X 750MM	20 X 30"	120G, 150G, 200G, 250G, 500G	1000 & 100
600 X 900MM	24 X 36"	120G, 200G, 250G, 500G	500 & 100
900 X 1200MM	36 X 48"	200G, 400G, 500G	100

Food safe, but used for a wide variety of purposes . Our polythene bags come in a range of gauges and sizes to suit all needs. They can be sealed perfectly using a heat sealer.



Our Grip Seal bags are the perfect multi-use packaging item. Food safe and reusable these bags feature a grip top design for easy sealing.

Our grip seal bags are also available with white write on panels, please enquire for details.

GRIP SEAL BAGS

Metric Size	Imperial Size	Gauge	Case Quantity
37 X 62MM	1.5 X 2.5"	160G	1000
56 X 56MM	2.25 X 2.25"	160G	1000
56 X 75MM	2.25 X 3"	160G	1000
75 X 80MM	3 X 3.25"	160G	1000
88 X 112MM	3.5 X 4.5"	160G	1000
112 X 112MM	4.5 X 4.5"	160G	1000
100 X 137MM	4 X 5.5"	160G	1000
137 X 137MM	5.5 X 5.5"	160G	1000
125 X 187MM	5 X 7.5"	160G	1000
75 X 187MM	3 X 7.5"	160G	1000
187 X 187MM	7.5 X 7.5"	160G	1000
150 X 225MM	6 X 9"	180G	1000
200 X 275MM	8 X 11"	180G	1000
228 X 320MM	9 x 12.75"	180G	1000
320 X 320MM	12.75 x 12.75"	180G	1000
250 X 350MM	10 X 14"	180G	1000
275 X 400MM	11 X 16"	180G	1000
325 X 450MM	13 X 18"	180G	1000
375 X 500MM	15 X 20"	180G	1000

PACKER IMPULSE SEALERS

Size	Cutter
8"	With or Without
12"	With or Without
16"	With or Without



The perfect tool for sealing poly bags and lay flat tubing of all gauges, supplied with or without a cutter

LAYFLAT TUBING

Roll Width	Available Gauges
1"	250G, 500G
1.5"	250G, 500G
2"	250G, 500G
2.5"	250G, 500G
3"	150G, 250G, 500G
4"	150G, 250G, 500G, 1000G
5"	250G, 500G
6"	120G, 250G, 500G, 1000G
7"	160G, 250G, 500G
8"	120G, 250G, 500G, 1000G
9"	120G, 250G, 500G
10"	120G, 250G, 500G
12"	120G, 250G, 500G, 1000G
14"	120G, 250G, 500G
16"	120G, 250G, 500G
18"	250G, 500G, 1000G
20"	120G, 250G, 500G
22"	250G, 500G
24"	120G, 250G, 500G
30"	120G, 250G, 500G
36"	120G, 250G, 500G
48"	250G, 500G



Layflat tubing can be used for a multitude of packaging applications, the most common of which include pipes, wood mouldings and curtain rails.

REFUSE SACKS

Description	Size	Case Quantity
Heavy Duty Black Sack 180g	18 x 29 x 39"	200
Compactor Sack 300g	22 x 33.5 x 47"	100
Coloured Refuse Sack 160g	18 x 29 x 39"	200
Rubble Sack 500g	20 x 30"	100



RUBBLE SACKS



BLACK SACKS

Custom refuse sizes and gauges are available on request

REMOVAL SUPPLIES

Product	Size	Case Quantity
CROSS STITCHED BLANKETS	60 X 80"	25
ARMCHAIR COVER	72 X 54"	1
MATTRESS COVER	60 X 69 X 98"	1
3 SEATER SOFA COVER	108 X 54"	1
COTTON WEBBING	1.5" X 20M	1
15MM STAPLES	N/A	20,000
SACK TIES	N/A	1,000



CROSS STITCHED BLANKET



3 SEATER COVER

We stock a comprehensive range of removal supplies, please contact us for information on removal kits and bulk deals on boxes.



COTTON WEBBING



FLOOR PROTECTOR

ADHESIVE FLOOR PROTECTION

Description	Roll length
CLEAR POLYTHENE FLOOR PROTECTOR	10M
CLEAR POLYTHENE FLOOR PROTECTOR	25M
CLEAR POLYTHENE FLOOR PROTECTOR	100M

WARDROBE CARTONS WITH HANGING BAR

Metric Size	Imperial Size	Grade
508 X 457 X 1219 MM	20 X 18 X 48"	150KT/BC



REMOVALS CARTONS

Metric Size	Imperial Size	Grade
457 X 457 X 457MM	18 X 18 X 18	125KT/BC
457 X 457 X 305MM	18 X 18 X 12	125KT/BC
457 X 305 X 305MM	18 X 12 X 12	125KT/BC



We also stock a range of once used cartons at incredible prices, please contact us for details

DROP'N TELL DEVICE

CONTAINER AREA IN CUBIC FEET

CONTAINER WEIGHT IN POUNDS	CONTAINER AREA IN CUBIC FEET				
	0-1	1-5	6-15	16-50	50+
0-10	100G	100G	50G	50G	25G
11-25	100G	50G	50G	25G	25G
26-50	50G	25G	25G	25G	25G
51-100	50G	25G	25G	15G	15G
101-250	25G	25G	15G	15G	15G
250-1000	15G	10G	10G	10G	10G
1000+	5G	5G	10G	10G	10G



The drop'n tell system includes two warning labels and is available in six different G-ranges. The device monitoring five times the force of gravity is very sensitive while the device monitoring one hundred times the force of gravity requires a greater impact to activate. Attach the drop'n tell device to your product by removing the liner on the back to expose the adhesive or screw/nail it using the holes at each end

TIP'N TELL DEVICE

Tip'n Tell is a brightly coloured device that product handlers can quickly recognise. It includes a system of labels that warns all handlers of a monitoring device. The Tip'nTell can be mounted on the inside or outside of your shipment. The device is activated by pulling the bar in the centre of the device. The device can be stuck to the product by removing the liner on the adhesive or by nailing it to the container.

If your product is tipped slightly less than 90 degrees or beyond, the clear arrow becomes permanently blue. Your customer can immediately check for damage.



SHIPPING LABELS

Description	Label Size	Qty On Roll
FRAGILE	89X32MM	1000
DO NOT CRUSH	148X50MM	500
DOCUMENTS ENCLOSED	83X32MM	1000
DO NOT BEND	89X32MM	1000
GLASS	89X32MM	1000
SOLD	89X32MM	1000
DO NOT USE SHARPS OPEN WITH CARE	148X50MM	500
HANDLE WITH CARE	89X32MM	1000



SHIPPING LABELS



110MM LABEL DISPENSER

HAND TOWELS AND DISPENSERS

Product	Size	Case Quantity
C/FOLD HAND TOWELS 1PLY	N/A	2800
C/FOLD HAND TOWELS 2PLY WHITE	N/A	2400
PERF MINI ROLL C/PULL TOWEL	N/A	X12 ROLLS
2PLY BLUE/WHITE C/PULL TOWEL	150MTR	X6 ROLLS
2PLY WORKSHOP ROLL	30CM X 400M	X2 ROLLS
2PLY WHITE TOILET ROLLS	320 SHEET	X36 ROLLS
MINI JUMBO TOILET ROLL	150M	X12 ROLLS
STANDARD C/PULL DISPENSER	N/A	1
MINI ROLL TOWEL DISPENSER	N/A	1
C/FOLD TOWEL DISPENSER	N/A	1



C/PULL DISPENSER



C/PULL TOWEL



C/FOLD DISPENSER



C/FOLD TOWELS



WORKSHOP ROLL



THICK BLEACH

HYGIENE

Product	Size	Case Quantity
TOILET CLEANER	1LTR	6
PINK PEARLISED HAND SOAP	5LTR	1
THICK BLEACH	5LTR	4
DEB WASHROOM SOAP DISPENSER	1LTR	1
DEB AQUARESS ANTIBAC FOAMING SOAP	1LTR	6



TOILET CLEANER



DEB DISPENSER



AQUARESS SOAP

HAND HYGIENE

Product	Size	Case Quantity
FLORAFREE 2 STEP HYGIENE CENTRE	N/A	N/A
FLORAFREE CLEANSE DISPENSER	1L	1
FLORAFREE SANITISE DISPENSER	1L	1
FLORAFREE ANTIBAC SOAP REFILL	1L	6
FLORAFREE SKIN SANITISER REFILL	1L	6
FLORAFREE SKIN SANITISER PUMP	1L	6



SKIN SANITISER



FLORAFREE SOAP REFILL



2 STEP HYGIENE BOARD



SOCKET MOP HEAD

KITCHEN CHEMICALS

Product	Size	Case Quantity
ANTIBAC SURFACE WIPES	N/A	200
ANTIBAC SURFACE SPRAY	750ML	6
GLASS CLEANER SPRAY	750ML	6
JANITOL ULTRA SANITISER	5LTR	2
JANITOL FLOOR CLEANER	5LTR	2
PINE DISINFECTANT	5LTR	2
HARD SURFACE CLEANER	5LTR	2
GENERAL PURPOSE WASH UP LIQUID	5LTR	2
DISHWASHER DETERGENT	5LTR	2
DISHWASHER RINSE AID	5LTR	2
GLASS WASH DETERGENT	5LTR	2



VINYL GLOVES

MATERIALS & SUNDRIES

Product	Size	Case Quantity
FLY SPRAY	400ML	1
METAL SCOURER	N/A	10
KITCHEN J CLOTH	N/A	50
HEAVY DUTY REFUSE SACK	18X29X39"	200
KENTUCKY MOP HEAD	12OZ	1
SOCKET MOP HEAD	12OZ	1
BLUE PLASTERS	VARIOUS	100
FIRST AID KIT	N/A	1



PAPER TOPTWIST CARRIERS

Size	Available Colours	Case Quantity
7.5 X 8"	IVORY, RED, PINK, BLACK, DARK GREEN, DARK BLUE	250
10 X 12"	IVORY, RED, PINK, BLACK, GREEN, LIGHT BLUE, FUSCHIA, KRAFT, WHITE, SILVER, GOLD	150
12 X 16"	RED, PINK, BLACK, LIGHT GREEN, LIGHT BLUE, FUSCHIA, KRAFT, WHITE, SILVER, GOLD	150



TOPTWIST CARRIER

Popular with gift shops and boutiques, a good quality paper carrier. Available for print starting at quantities of 1000

PAPER TAKEAWAY SOS CARRIERS

Size	Available Colours	Case Quantity
7 X 10 X 8.5"	KRAFT & WHITE	500
8 X 13 X 10"	KRAFT & WHITE	250
10 X 12 X 15"	KRAFT & WHITE	250
12 X 17 X 16"	KRAFT & WHITE	125
16 X 22 X 18"	KRAFT & WHITE	200



KRAFT SOS

KRAFT PAPER BAGS (STRUNG)

Size	Case Quantity
7 X 7"	1000
7 X 9"	1000
8.5 X 8.5"	1000
8.5 X 11"	1000
10 X 10"	1000
12 X 12"	500
10 X 10" YELLOW	1000
12 X 12" YELLOW	500
12 X 12"	500
10 X 14"	1000
13 X 14"	500
14 X 18"	500
17 X 19"	500
19 X 21"	500



BLOCK BOTTOM BAGS

BLOCK BOTTOM PAPER BAGS

Size	To Take Weight	Case Quantity
150 X 60 X 300MM	3.5LB	250
175 X 290 X 345MM	7LB	250
200 X 315 X 475MM	14LB	125
250 X 390 X 550MM	28LB	125



KRAFT BAGS

WHITE SULPHITE PAPER BAGS (STRUNG)

Size	Case Quantity
5 x 6"	1000
6 x 6"	1000
6 x 7.5"	1000
7 x 7"	1000
7 x 9.5"	1000
8.5 x 8.5"	1000
10 x 10"	1000
8.5 x 11"	1000
12 x 12"	500



WHITE SULPHITE

FILM FRONTED PAPER BAGS

Size	Case Quantity
5 x 7"	1000
7 x 7"	1000
8.5 X 8.5"	1000
10 X 10"	1000
10 X 12"	1000
12 X 12"	1000
12 X 18"	1000
20 X 30"	50
4 X 6 X 14"	1000



FILM FRONT BAGS

All of our paper bags are sustainably sourced

HIGH DENSITY VEST CARRIERS

Description	Size	Micron	Case Quantity
4KG MEDIUM VEST WHITE	10 X 15 X 18"	11	2000
HAIL LARGE VEST WHITE	11 X 17 X 23"	15	2000
HIPPO XL VEST WHITE	13 X 19 X 23"	32	1000
MONSTER VEST WHITE	18 X 25 X 32"	25	500
V2T BOTTLE VEST WHITE	7.5 X 17"	18	2000
BLACK BOTTLE VEST	7.5 X 17"	18	2000
MEDIUM STRIPE VEST	10 X 15 X 18"	12	2000
LARGE STRIPE VEST	11 X 17 X 21"	15	2000
MEDIUM DEGRADABLE VEST	11 X 17 X 21"	20	2000
JUMBO BIODEGRADABLE VEST	13 X 19 X 23"	22	1000



STRIPE VEST



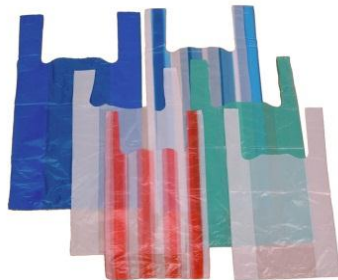
WHITE VEST

RECYCLED VEST CARRIERS

Description	Size	Micron	Case Quantity
21" RECYC BLUE MEDIUM	11 X 17 X 21"	18	1000
21" RECYC BLUE STRONG	11 X 17 X 21"	24	1000
24" RECYC GREEN	12 X 18 X 24"	26	1000



BIODEGRADABLE



VEST CARRIERS

Heavy duty carriers made from 100% recycled polythene

LD FASHION CARRIERS

Size	Available Colours	Case Quantity
8 x 12"	WHITE, IVORY, BLACK, DARK BLUE, SILVER, GOLD, BURGUNDY, HARRODS GREEN	500
10 x 16"	WHITE, IVORY, BLACK, DARK BLUE, SILVER, GOLD, BURGUNDY, HARRODS GREEN	500
15 x 18"	WHITE, IVORY, BLACK, DARK BLUE, SILVER, GOLD, BURGUNDY, HARRODS GREEN	500
22 x 18"	WHITE, IVORY, BLACK, DARK BLUE, SILVER, GOLD, BURGUNDY, HARRODS GREEN	500



LD FASHION CARRIERS



The perfect choice for any High Street retailer

PRINTED CARRIER BAGS



We specialise in the custom design and print of all types of carrier bags, just send us your required spec. and logo and we can do the rest!



POLY BREAD SACHELS

Description	Size	Case Quantity
P160 POLY PROP	150 X 710MM	2000
P160 POLY PROP	150 X 250MM	2000
P160 POLY PROP	150 X 350MM	2000
P160 POLY PROP	250 X 300MM	2000
P160 POLY PROP	300 X 400MM	2000
P8 POLY PROP	250 X 200MM	2000
POLY BREAD SACHEL	6 X 10 X 18"	1000
POLY BREAD SACHEL	8 X 12 X 22"	1000

P160 Poly Prop bags are superb for fresh baked bread

RANDOM DESIGN PAPER BAGS

Size	Case Quantity
5 x 7"	1000
7 X 9"	1000
8.5 X 11"	1000
10 X 14"	1000
13 X 14"	500
14 X 18"	500
19 X 21"	250

Made from thick paper offcuts our Random bags are perfect for cards and gifts. Each pack contains random colours and designs



RANDOM BAG

SWEET BAGS

Description	Size	Case Quantity
POLY PROP SACHEL	70 X 100 X 170MM	1000
POLY PROP SACHEL	90 X 125 X 230MM	1000
POLY PROP SACHEL	125 X 205 X 290MM	1000
PIC N MIX BAG	108 X 185 X 298MM	500



PIC N MIX BAG



POLY PROP SACHEL

D.A CELLOPHANE BAGS

Size	Case Quantity
150 X 250MM	2000
150 X 350MM	2000
200 X 250MM	2000
250 X 300MM	2000

Often referred to as 'snappy bags' our DA bags are widely used within the food processing industry for the packaging of cold foods

GREASPROOF PAPER BAGS

Size	Case Quantity
7 X 7"	1000
8.5 X 8.5"	1000
10 X 10"	1000



GREASE PROOF PAPER BAG

POLY BAGS ON ROLL

Description	Size	Case Quantity
GRANNY BAG ON ROLL	9 X 14"	10,000
GRANNY BAG ON ROLL LARGE	9 X 14 X 18"	5,000
LD CLEAR BAG ON ROLL	9 X 14"	5,000
PINCH PULL DISPENSER BAG	8 X 12 X 17"	9,000
KNOT BAG ON ROLL 5KG	9 X 14 X 18"	5,000



POLY BAG ON ROLL

Popular with supermarkets and fruiterers



JEWELLERY TAGS

JEWELLERY TAGS

Code	Size	Type	Case Qty
E21	24 X 15MM	STRUNG	1000
E22	27 X 18MM	STRUNG	1000
E23	29 X 18MM	STRUNG	1000
E24	35 X 22MM	STRUNG	1000
E25	35 X 28MM	STRUNG	1000
E27	54 X 35MM	STRUNG	1000

QUALITY DECORATIVE TISSUE

Size	Colour	Pack Qty
18 X 28"	FUSCHIA	240 SHEETS
18 X 28"	PALE PINK	240 SHEETS
18 X 28"	LIME	240 SHEETS
18 X 28"	LAVENDER	240 SHEETS
18 X 28"	ORANGE	240 SHEETS
18 X 28"	WHITE	240 SHEETS
18 X 28"	BLACK	240 SHEETS
18 X 28"	DARK GREEN	240 SHEETS
18 X 28"	VIOLET	240 SHEETS
18 X 28"	DARK BLUE	240 SHEETS
18 X 28"	YELLOW	240 SHEETS
18 X 28"	BURGUNDY	240 SHEETS
18 X 28"	VANILLA	240 SHEETS
18 X 28"	RED	240 SHEETS

LUGGAGE LABELS

Code	Size	Type	Case Qty
MS0	49 X 28MM	STRUNG	1000
MS1	70 X 35MM	STRUNG	1000
MS2	82 X 41MM	STRUNG	1000
MS3	96 X 48MM	STRUNG	1000
MS4	108 X 54MM	STRUNG	1000
MS5	120 X 60MM	STRUNG	1000
12MU1	70 X 35MM	UNSTRUNG	1000
12MU2	82 X 41MM	UNSTRUNG	1000
12MU3	96 X 48MM	UNSTRUNG	1000
12MU4	108 X 54MM	UNSTRUNG	1000
12MU6	134 X 67MM	UNSTRUNG	1000



LUGGAGE LABELS



ADHESIVE LABELS

ADHESIVE LABELS

Size	Type	Roll Qty
2 x 1"	WHITE PERMANENT	2500
2 X 1"	GOLD PERMANENT	2500
3 X 2"	WHITE PERMANENT	1500
4 X 2"	WHITE PERMANENT	1500



DECORATIVE TISSUE



BESPOKE LABELS

We specialise in the production of bespoke labels, we can offer a competitive quote on small and large runs of adhesive labels in a range of sizes



Euro slot punch available

RETAIL REFUSE SACKS

Description	Size	Case Quantity
10 ROLL GREEN GARDEN SACK	740 X 990MM	20 ROLLS
10 ROLL STANDARD BLACK SACK	740 X 840MM	30 ROLLS
10 ROLL HEAVY DUTY BLACK SACK	457X 710 X 840MM	20 ROLLS
20 ROLL STANDARD BLACK SACK	457 X 710 X 840MM	25 ROLLS
25 ROLL STANDARD BLACK SACK	457 X 710 X 990MM	8 ROLLS
QUALITY BLACK SACK 180G (LOOSE)	460 X 740 X 990MM	200 SACKS
25 ROLL SWING BIN LINER SCENTED	400 X 600 X 880MM	20 ROLLS
5 ROLL WHEELIE BIN LINER	300 X 1150 X 1425MM	20 ROLLS
40 ROLL PEDAL BIN LINER SCENTED	305 X 455 X 600MM	25 ROLLS
5 ROLL RUBBLE SACK 500G	500 X 700MM	40 ROLLS
BLACK COMPACTOR SACK 300G (LOOSE)	550 X 825 X 1175MM	100 SACKS

All of our refuse sacks on the roll come pre packed and barcoded ready for retail, please feel free to contact us for samples and prices



BLACK SACK ON ROLL



GREEN GARDEN SACK ON ROLL



RUBBLE SACK ON ROLL

TILL & CARD MACHINE ROLLS

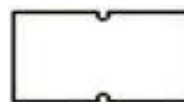
Size	Paper Type	Case Quantity
44 X 80MM	A GRADE	40 ROLLS
37 X 70MM	A GRADE	20 ROLLS
57 X 58MM	A GRADE	20 ROLLS
76 X 76MM	A GRADE	20 ROLLS
57 X 30MM	THERMAL	20 ROLLS
57 x 40MM	THERMAL	20 ROLLS
57 X 55MM	THERMAL	20 ROLLS
44 X 80MM	THERMAL	20 ROLLS
50 X 70MM	THERMAL	20 ROLLS
57 X 70MM	THERMAL	20 ROLLS
80 X 80MM	THERMAL	20 ROLLS



We also stock a wide range of Till Inks and Ribbons

PRICE GUN LABELS

Description/ Size	Case Quantity
CT4 WHITE PUMA/METO FREEZE PEEL 26 X 12MM	45,000
CT4 PEACH PUMA/METO FREEZE PEEL 26 X 12MM	45,000
CT4 WHITE PUMA/METO PERM 26 X 12MM	45,000
NOR D WHITE LABEL	45,000
NOR B WHITE LABEL	45,000
R105 WHITE 26 X 12MM LABEL	15,000
CT1 PUMA/LYNX SQUARE LABEL WHITE/YELLOW	10,000



CT1 LABEL



NOR D



CT4 LABEL



PUMA PRICE GUN



TIDMAS TOWNSEND

An eco-friendly customer focused business

Industrial & Retail Packaging Materials

tidmastownsend.co.uk  *01323 734240*

208 – 210 SEASIDE, EASTBOURNE, EAST SUSSEX, BN22 7QS